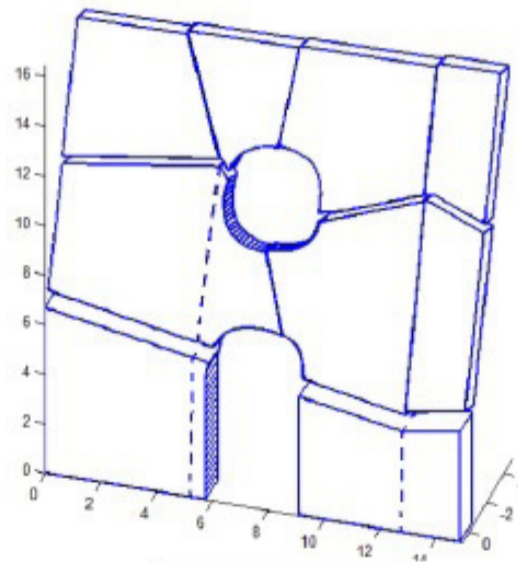


EFFICIENT NUMERICAL STRATEGIES

for the limit analysis of masonry
structures

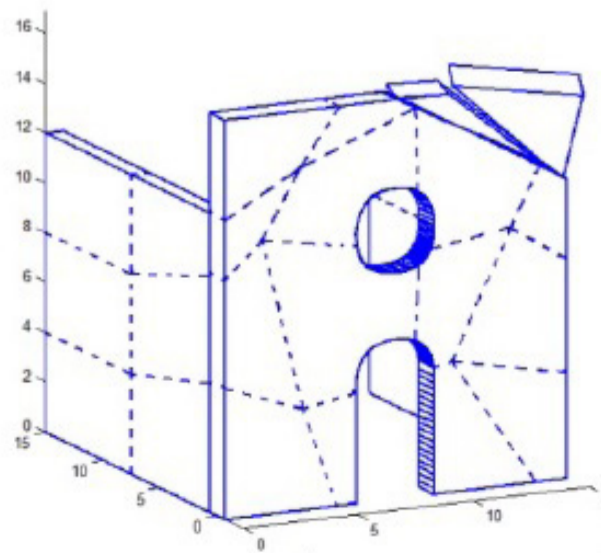
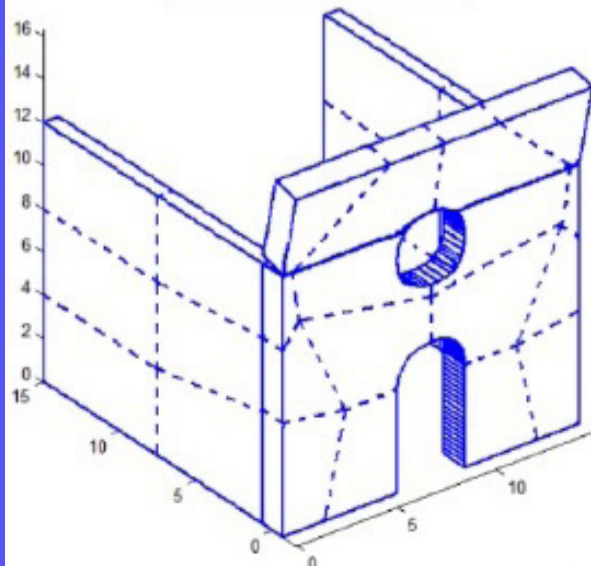
Gabriele Milani
Politecnico di Milano

16.11.2016
Badoer
aula B
ore 11



$$\lambda_p = 11.58 \text{ kN/m}^2$$

$$\lambda_p = 8.10 \text{ kN/m}^2$$



$$\lambda_p = 26.09 \text{ kN/m}^2$$

